



Automatic Circuit Recloser

15 - 38 kV | PRODUCT GUIDE



BAIYUE ELECTRIC CO.,LTD.

Introduction



Baiyue Electric is devoted to bringing our customers the products with best balance of price and performance. The BYVZ Series solid dielectric Automatic Circuit Recloser (ACR) represents Houyuan Electric' s promise to endless improving and ongoing developments.

The automatic circuit reclosers are designed for use on overhead distribution lines as well as distribution substation of voltage class up to 38kV.

The tanks are manufactured from stainless steel and powder coated in light grey colour. The product is equipped with a BC300 or BC500 controller. The microprocessor based controller, BC300 or BC500, combines all functions in a single cubicle, including protection, data logging, communication and so on. With built-in communication methods, it is designed as a stand-alone device that can be easily integrated into distribution automation and remote control system.

The product is thoroughly type tested in Baiyue independent laboratory to ensure long life and excellent performance under various environmental conditions.

Overview of Switchgear



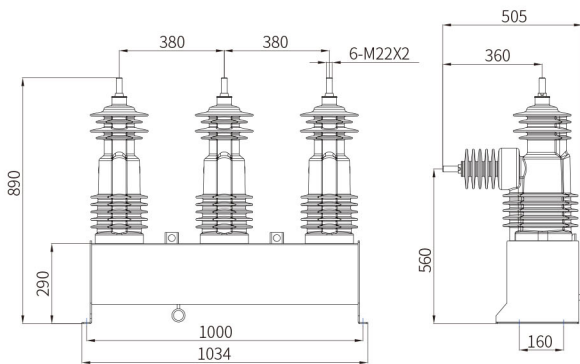
- **Ganged Operation of Magnetic Actuator** The switchgear is operated by a single magnetic actuator ganged with the three vacuum interrupters for both tripping and closing.

- **Robust Epoxy Resin Housing** The vacuum interrupters are encapsulated with robust hydrophobic epoxy resin housing of unibody casting, featuring thorough insulation to ensure paramount dielectric characteristic.

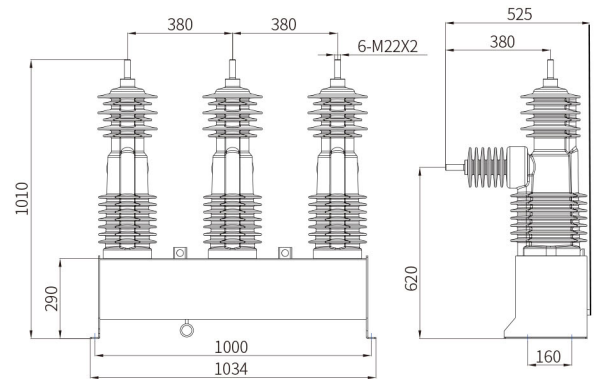
- **Rugged Powder Coated Tank** The magnetic actuator and associated mechanism is enclosed in the rugged powder coated tank. The strong base with special surface finishing ensures the capability of working under various environmental conditions.

- The hydrophobic epoxy resin housings are firmly bolted to the lid.

- An external pointer, clearly visible on the base of tank, indicates the “open” or “closed” state of the switchgear. Red for “closed” and Green for “open”, pulling the yellow ring with hot stick to manually latch the switchgear to “open” .



HVZ27



HVZ38

Description of Controller

Controller

The Microprocessor based controller provides protection, control, monitoring, instrumentation and metering with integrated input and output logic, data logging & fault report.

Communication functionality of the controller is achieved via electrical RS485 port for remote connection. Additional rear ports including RS232 are available for selection.

The Feeder Terminal Unit(FTU) is the core of controller. To prevent any damage to FTU from emergency, the control cubicle contains auxiliary power supply of batteries for uninterruptible power supply, electronic boards and circuit breakers.

A series of protection functions can be set via screen display.



Protection

- Protective Functions
- Phase time overcurrent protection (51P)
- Phase instantaneous overcurrent protection (50P-1)
- Two definite time overcurrent settings (50P-2, 50P-3)
- Ground overcurrent protection (51N)
- Ground instantaneous overcurrent protection (50N-1)
- Two definite time ground overcurrent settings (50N-2, 50N-3)
- Negative sequence overcurrent protection (46)
- Phase and ground directional overcurrent protection (67P, 67N;)
- Over-frequency (81O, 81V)
- Undervoltage and overvoltage control and alarm (27, 59;)
- Up to four reclose cycles (define a recloser cycle 79-1 79-5;) close fourtimes / trip five
- Adaptive reclosing shots: each reclose sequence allows independent programming of protective functions Sensitive Earth Fault protection

Current input

Measuring range:	0 ~ 99A
Power consumption:	rated 5A, each phase is not greater than 0.5VA
	Rated 1A, each phase is not greater than 0.2VA
Overload capacity:	Rated at 0.2A, not more than 0.1VA per phase
	3 times the rated current, continuous work
	20 times the rated current for 4s
	50 times the rated current for 1s



Voltage input

Measuring range: 0 ~ 3V

Power consumption: each phase is not greater than 0.3VA

Overload capacity: 1.4 times the rated value, continuous work

Output

Continuous bearing: 5A

Breaking capacity: DC, inductive load, L / R = 40ms, 220V / 0.5A

Debounce time: 1 ~ 99ms, step 1ms

RS485 /RS232

Rate: 1200-38400bps

Default rate: 9600bps

Protocol: Modbus RTU, IEC60870-5-101,DNP3.0

Ethernet port (ONLY BC500)

Mode: 10 / 100M (adaptive)

Interface: RJ45

Protocol: Modbus TCP / IP,DNP3.0 IEC60870-5-104

Cubicle

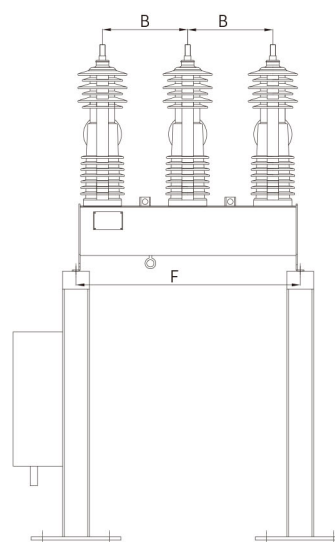
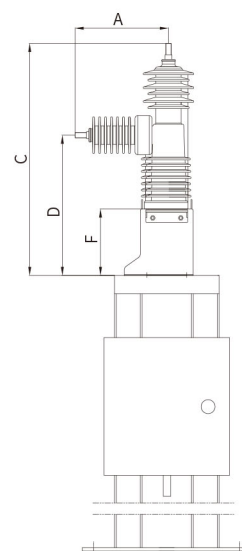
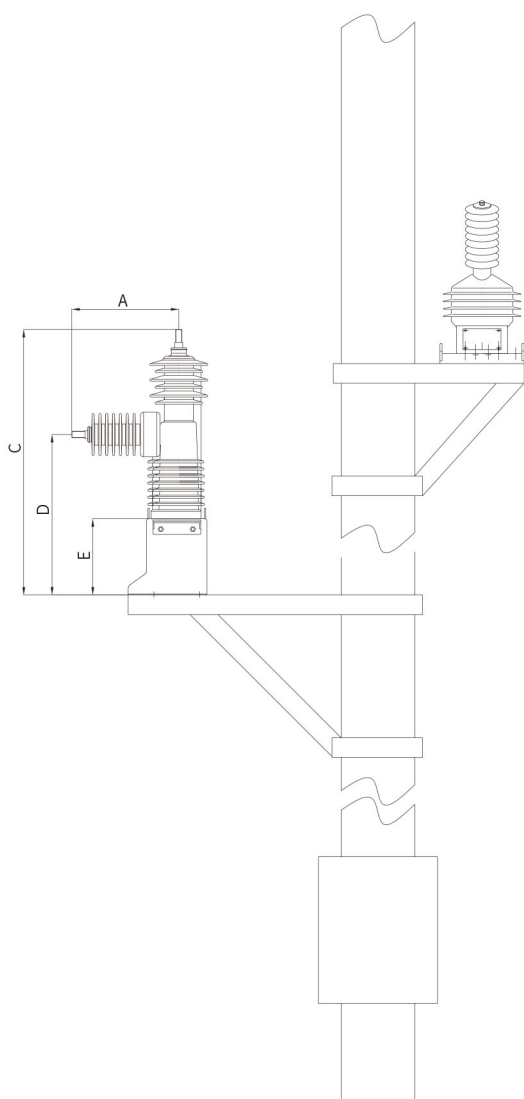
The cubicle is integrated with a variety of electronic components, including protection relay and UPS system for device. Extra components and functions are optional.



Technical Parameters

15.5kV 50/60Hz	Rated continuous current	Rated duration of short-circuit	Rated short-circuit breaking current	Rated short-circuit making current	Rated lightning impulse withstand voltage	Rated short-duration P.F. withstand voltage	Impedance $\mu\Omega$ between connections	Creepage distance phase-to-earth	Clearance phase-to-phase	Minimum clearance, phase-to-earth	Weight	Line charging current	Cable charging current	Max. interrupting time/max. closing time
	I _r /A	T _k /s	I _{sc} /kA	I _{ma} /kA	U _p /kV	U _d /kV	$\mu\Omega$	mm	mm	mm	kg	A	A	ms
BYVZ15-630-12-N	630	3	12.5	31.5	110	50	60	960	320	270	130	2	10	40/60
BYVZ15-800-12-N	800	3	12.5	31.5	110	50	60	960	320	270	130	2	10	40/60
BYVZ15-630-16-N	630	3	16	40	110	50	60	960	320	270	130	2	10	40/60
BYVZ15-800-16-N	800	3	16	40	110	50	60	960	320	270	130	2	10	40/60
27kV 50/60Hz	I _r /A	T _k /s	I _{sc} /kA	I _{ma} /kA	U _p /kV	U _d /kV	$\mu\Omega$	mm	mm	mm	kg	A	A	ms
	BYVZ27-630-12-N	630	3	12.5	31.5	125	60	60	960	320	270	140	5	25
BYVZ27-800-12-N	800	3	12.5	31.5	125	60	60	960	320	270	140	5	25	40/60
BYVZ27-630-16-N	630	3	16	40	125	60	60	960	320	270	140	5	25	40/60
BYVZ27-800-16-N	800	3	16	40	125	60	60	960	320	270	140	5	25	40/60
BYVZ27-630-16-H	630	3	16	40	170	70	60	1290	320	350	155	5	25	40/60
BYVZ27-800-16-H	800	3	16	140	170	70	60	1290	320	350	155	5	25	40/60
38kV 50/60Hz	I _r /A	T _k /s	I _{sc} /kA	I _{ma} /kA	U _p /kV	U _d /kV	$\mu\Omega$	mm	mm	mm	kg	A	A	ms
	BYVZ38-630-12-N	630	3	12.5	31.5	170	70	60	1290	320	350	155	5	40
BYVZ38-800-12-N	800	3	12.5	31.5	170	70	60	1290	320	350	155	5	40	40/60
BYVZ38-630-16-N	630	3	16	40	170	70	60	1290	320	350	155	5	40	40/60
BYVZ38-800-16-N	800	3	16	40	170	70	60	1290	320	350	155	5	40	40/60

Dimensions for Mounting



		A	B	C	D	E	F
15.5kV	mm	360	380	910	580	310	1000
27kV	mm	360	380	910	580	310	1000
38kV	mm	380	380	1030	640	310	1000

BAIYUE ELECTRIC CO.,LTD.

Address: No. 212 Wei 6 Road, Yueqing Economic Development
Zone, Yueqing, Zhejiang Province, China

Number: +86-0577-61310366 Fax: +86-0577-61310365

Mobile: +86-13868740839

Website: www.ebayelec.com